

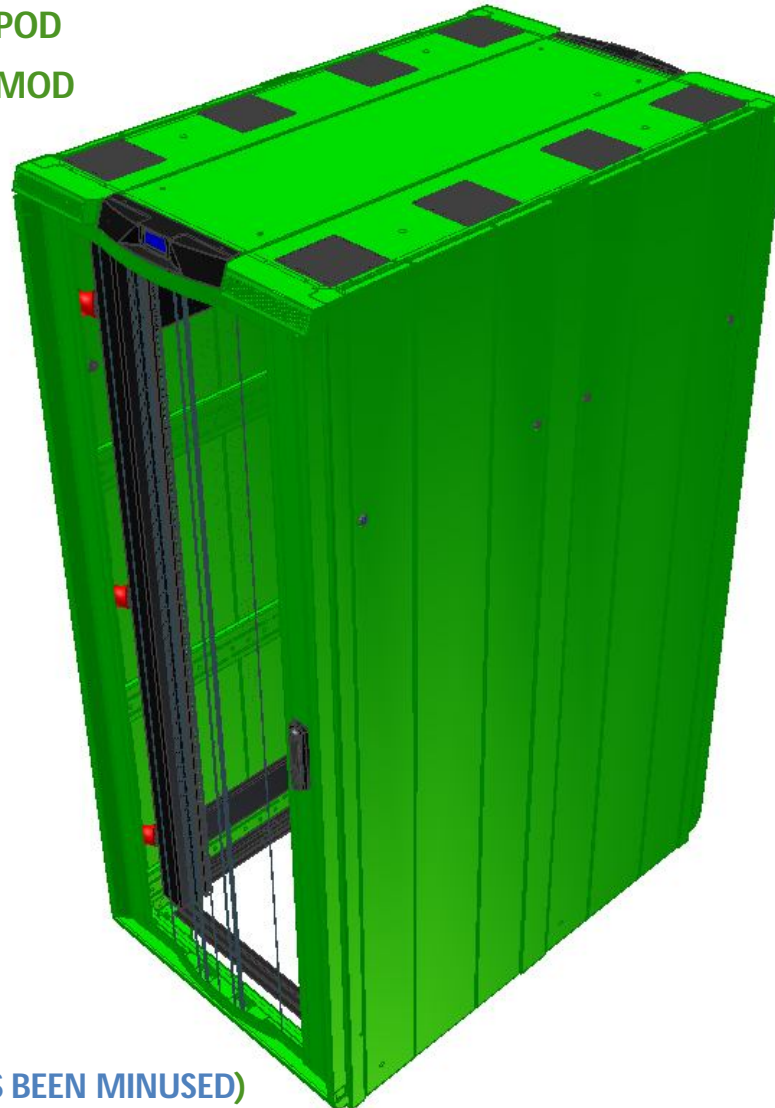
Cannon Globe Trotter



SHOCK ATTENUATED SERVER CABINET

2 FRAME VERSION Globe Trotter POD

3 FRAME VERSION Globe Trotter MOD



SHOCK ATTENUATED

SERVER CABINET SPECIFICATION:

LOWER LOADING:

12 SHOCK ATTENUATED MOUNTS

FITTED: 280KG MAX WEIGHT LOAD

HIGHER LOADING :

16 SHOCK ATTENUATED MOUNTS

FITTED: 400KG MAX WEIGHT LOAD

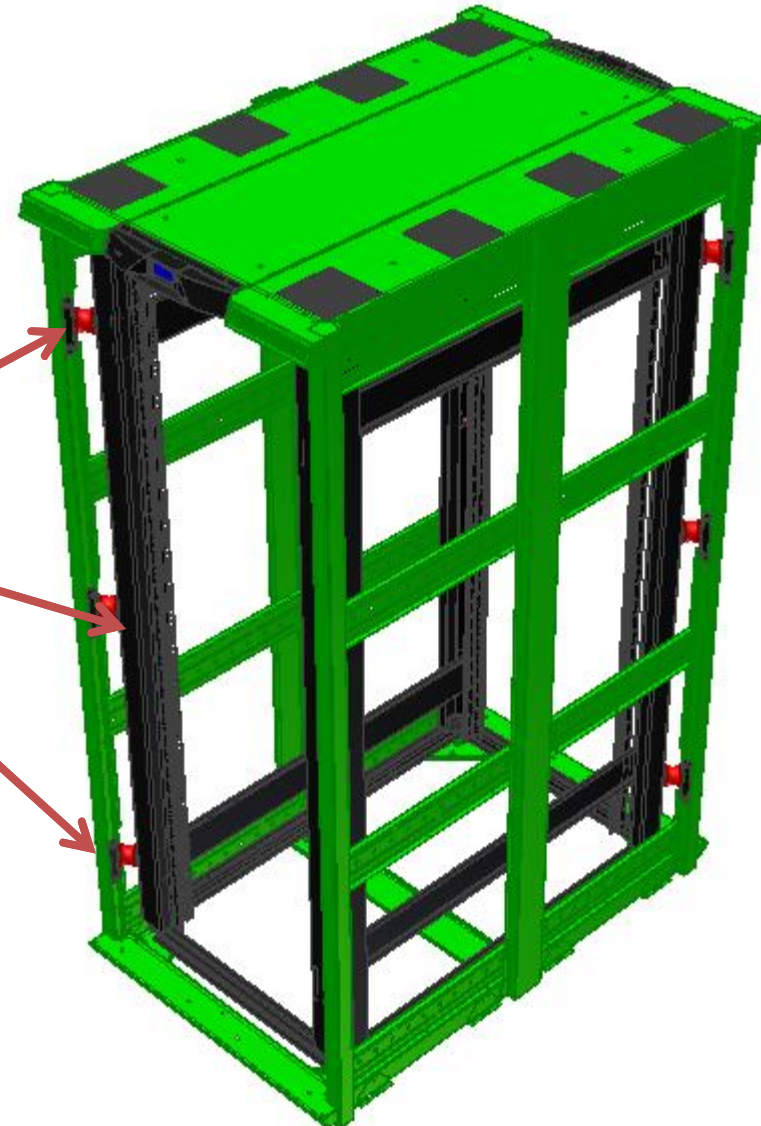
(NOTE: INNER FRAME LOAD 80KG HAS BEEN MINUSED)

Cannon Globe Trotter

SHOCK ATTENUATED INNER FRAME MOUNTING

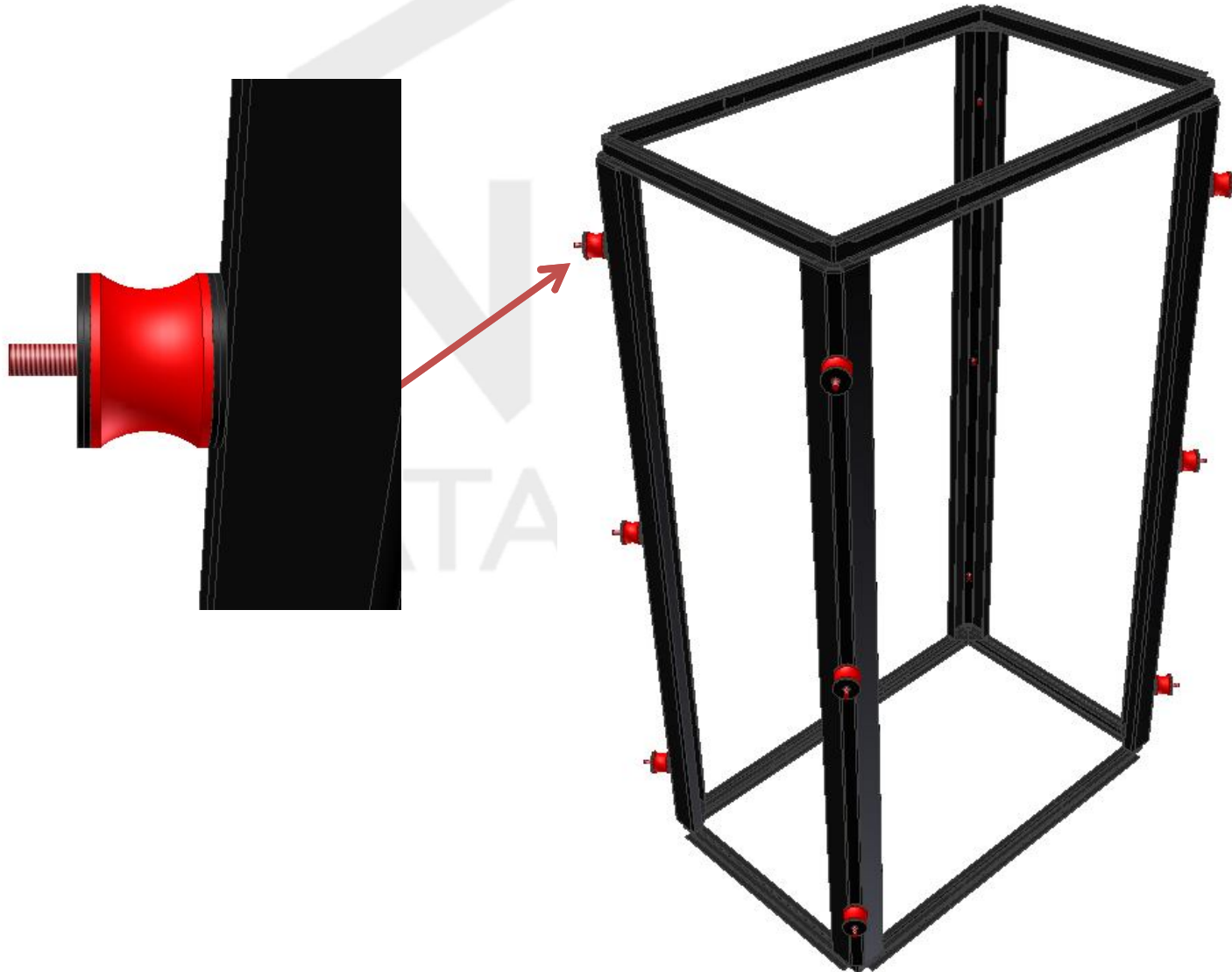


INNER FRAME
CONNECTED
TO CORNER POSTS
VIA SHOCK ATTENUATED
MOUNTS



Cannon Globe Trotter

SHOCK ATTENUATED INNER FRAME



Cannon Globe Trotter

SHOCK ATTENUATED FRAME 19" MOUNTING POST DETAIL

