

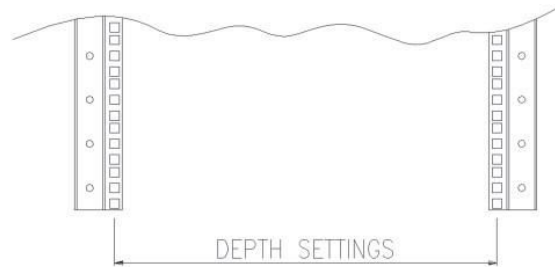
Mounting Post Pitches

Mounting Post Pitches for Shelves

Plan view of cabinet



Side view of cabinet

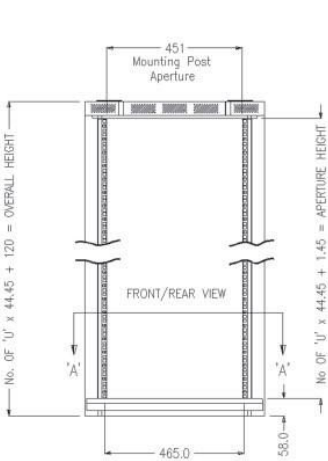


Other equipment widths can be accommodated in 700 and 800 wide cabinets by adding or deleting side infill panels.

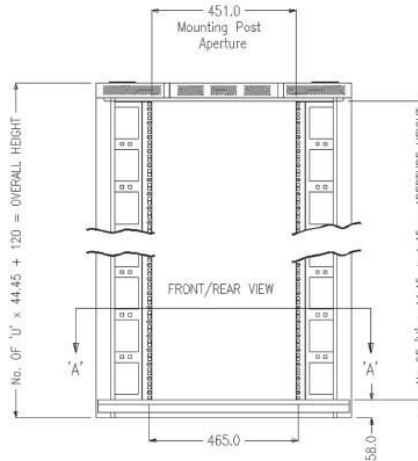
- = 465 FOR 600 WIDE
- = 565 FOR 700 WIDE
- = 665 FOR 800 WIDE

- = 386 FOR 450 SHELVES
- = 486 FOR 550 SHELVES
- = 536 FOR 600 SHELVES

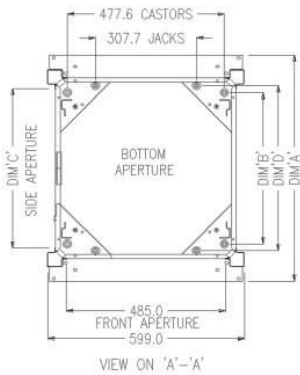
Cabinet Dimensions



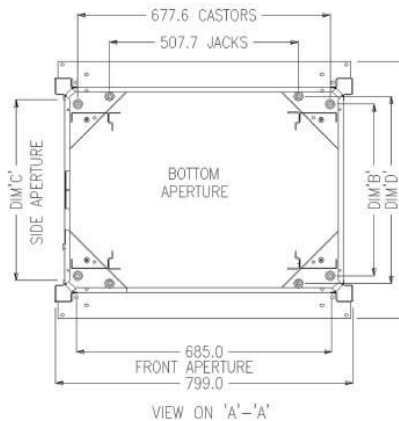
600mm Wide



800mm Wide



NOMINAL CAB DEPTH	DIM 'A'	DIM 'B'	DIM 'C'	DIM 'D'
600	690	459	485	501
800	890	659	685	701
900	990	759	785	801
1000	1090	859	885	901



NOMINAL CAB DEPTH	DIM 'A'	DIM 'B'	DIM 'C'	DIM 'D'
600	690	459	485	501
800	890	659	685	701
900	990	759	785	801
1000	1090	859	885	901

Size conversions: 1U = 44.45mm = 1 3/4" 600mm = 24" 700mm = 28" 800mm = 32" 1kg = 2.2lbs

England - Tel: +44 (0)1425 638148 Email: sales@cannontech.co.uk

9.5 Scotland - Tel: +44 (0)1355 239292 Email: scotland@cannontech.co.uk